

Brilliantly simple – simply brilliant.



Kanuk® 0

Manual



EHV GMBH
Entwicklung • Herstellung • Vertrieb

1.	Construction manual	
1.1	General requirements	3
1.2	Weight	4
1.3	General requirements	4
1.3.1	Construction manual/accessories	4
1.4	Combustion air supply	5
1.5	Couplers	5
1.6	Distance to combustible components and furniture/ Fire protection ..	5
1.7	Chimneys	6
2.	Directions for use	
2.1	Safe combustibles	7
2.2	Use of Kanuk® hot-air kilns	7
2.3	Butterfly control valve	7
2.4	Combustion air regulation	7
2.5	Heating up	8
2.6	Chimney fire	9
2.7	Procedures during incidents - safe decommissioning	9
2.8	Refilling	9
2.9	Bed of ashes	9
2.10	Cleaning	10
3.	Guarantee	
3.1	GuaranteeWarrenty	10

Thank you for choosing a Kanuk® hot-air kiln. We wish you lots of fun trying out your new Kanuk®. Please read this manual carefully before first use. It contains important notes and information on installation, operation, and safe use.

1. Construction manual

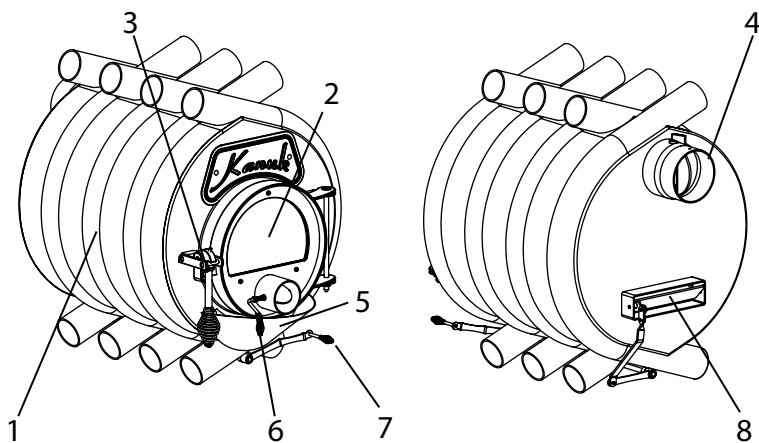
Please take into account that combustion installations may only be put into service after a district master chimneysweeper has verified functionality and safety of the exhaust system (chimney) and the heating appliance. This also applies to the case of changes.

1.1. General requirements

Structure and components of the Kanuk®

Kiln shell	1
Door with special Schott Robax® glass	2
Door locking mechanism	3
Gas flue pipe	4
Ash catch plate	5
Primary air regulation	6
Supply air controller for secondary air regulation	7
Secondary air regulation	8

Kanuk® Classic



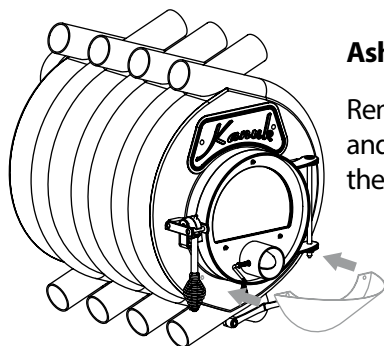
1.2. Weight

Kanuk® model	0
Weight in kg	56

1.3. General requirements

Please adhere to the respective prescriptions governed by public law when installing your Kanuk®, especially those set by the state building code and the corresponding firing directives.

1.3.1 Construction manual / accessories



Ash catch plate

Remove the ash catch plate from its packaging and clip it into the bolt underneath the door from the top.

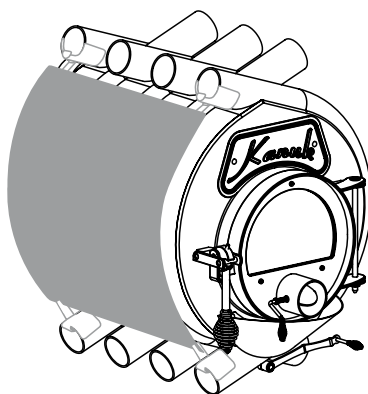
Kiln shell of the Kanuk® Classic

Step I

Push the hangers at the top and bottom into the first and last radiation tube. The side panels will be clipped into the bottom hangers.

Step II

Fix the side panels with the accompanying screws at the top hangers.





Self-closing door layout I

Remove the circlip of the door-fixing bolt. Now pull the bolt to the top and push it into the torsion spring. The medium hanger of the spring will be fixed on the doorframe. The ends of the springs are to be fixed behind the door suspension. Now return the bolt to the primary position and fix it with the circlip. Please make sure to fix the door additionally during the entire process.

1.4. Combustion air supply

The combustion air supply is sufficient for Kanuk® hot-air kilns up to a nominal heating capacity of 27 kW, provided there is at least one door or window to be opened. Furthermore, the room needs a cross-section of at least 150 cm². The room must not fall below 4 m³ per kW of nominal heating capacity.

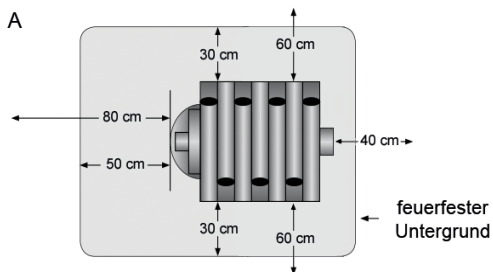
1.5. Couplers

The coupler between the heat system and the exhaust system (chimney) ought to be as short as possible, straight and needs to be installed in rising position. You may need to caulk the links. For cleaning the couplers, there ought to be at least one opening left free. The material density must not fall below 2 mm.

1.6. Fire protection – distance to combustible components and furniture

	forward	from the side with side plate / without side plate	back
Kanuk® 0	80 cm	35 cm / 60 cm	40 cm

Flammable floor coverings have to be protected by fire-resistant material. In addition the material needs to be placed also at least 50 cm in front of the stove and 30 cm next to it.



1.7. Chimneys

Kanuk® hot-air kilns don't require a chimney of their own if the door spring was fitted for layout 1. The combustion measurements were carried out according to the norm DIN 13384 parts 1, 2 and 3 with the value triplet given in table 1.

Note: We can only guarantee the operational safety and the nominal heat outputs of our Kanuk® hot-air kilns as long as the combustion measurements of the chimneys were carried out according to the norm DIN 13384 part 1, 2 and 3 and was attested by a district master chimneysweeper.

Table 1: Value triplet for measurements of chimneys according to DIN 13384 parts 1, 2 and 3:

Kanuk® model	0
Nominal heat output in kW	6
Emission temperature in °C	228
Exhaust flow rate in g/s	7,6
Minimal chimney draft in Pa	12

Table 2: Combustion chamber performance data:

Kanuk® model	0
fuel consumption in kg/h	2,1
maximum log length in cm	35
maximum heatable volume in m ³ *	140
maximum quantity of combustible in kg	2,1

* depending on building structure, insulation, etc.

2. Directions of use

2.1. Safe combustibles

Only air-dried, natural logs of wood measuring between 25-80 cm in length and 35 cm in diameter with less than 20% water content may be used as combustibles. In case you use wood remainders, make sure it was stored in a dry place for at least two years before using it as firewood. Never use more than the given amount in table 2 at a time to prevent overheating of the Kanuk® hot-air kiln. Don't use treated or plastic-coated wood, chip trays, sawdust, coal, coke, or similar combustibles!

2.2. Use of Kanuk®

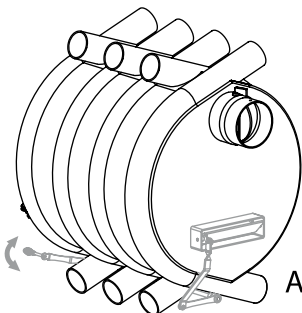
Kanuk® hot-air kilns may only be used with combustion chamber door closed. All Kanuk® hot-air kilns can be fitted with a self-closing door mechanism (layout 1).

Note: Overheating and/or improper combustibles can result in damage of the combustion chamber! See table 2: maximal combustible amounts (given in kilograms per hour).

2.3. Butterfly control valve

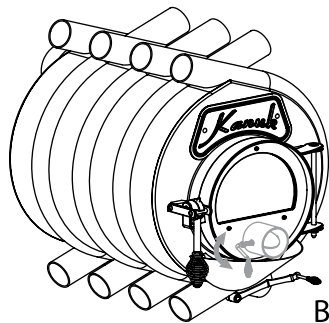
Remember to open the butterfly control valve in the exhaust gas stub when using the Kanuk® hotair kiln (position 0). The hand knob must be pointing in the direction of the exhaust gas stub. In case of a high draught of the chimney (see table 1, feed pressure), the control valve in the exhaust gas stub can be partially closed.

2.4. Combustion air regulation



Kanuk® hot-air kilns are fitted with primary (image B) and secondary (image A) air vents for combustion air supply. During heating up and use with nominal heat output, the primary and secondary air vent in the rear wall must be opened. The primary air vent (image B) is primarily meant for pane ventilation and ought to be closed partially or fully only for incandescence.

By closing the secondary air vent in the rear wall, the combustion air ventilation will be choked. This can result in higher emission rate. The secondary air vents cannot be closed fully for safety reasons.



2. 5. Heating up

Fully open the control valve in the exhaust gas tub, the primary air vent in the combustion chamber door, and the secondary air vent in the rear wall. For heating up, stack the firewood in a pyramid over screwed paper and cover it in thin logs of wood. Then start the fire. After heating up, fill up the Kanuk® hot-air kiln with logs according to chapter 2.1.

Note: Kanuk® hot-air kilns are coated in high quality heat-resistant paint. During the first phase of heating up, the burn-in of the paint may result in slight smoke development and odor nuisance. Make sure to keep your windows and doors open when heating up the kiln for the first time.

Before the first heating-up, make sure to check the correct installation of the viewing window of the Kanuk® hot-air kiln. The screws for the hanger on the front side of the combustion chamber door must be tightened to the degree that the door remains movable (hand-tight).

Note: For the protection of the stove you should pay attention to the fact, that the stove is loaded moderately with firewood, so that the steel can distend steadily. Because of the amazing temperature differences between the ambient temperature and the temperature within the stove, there may be crackling noises withing the Kanuk®.

2.6. Information in case of a chimney fire

If you use the wrong combustible or if the combustible is still too wet, there is the possibility of deposits in the chimney, which may cause a chimney fire. The air supply at the stove has to be closed immediately and of course you have to contact the fire brigade and your chimney sweeper as well. After the fire is done, the chimney needs to be checked by a specialist, to make sure that there are no damages or leakinesses.

2.7. Procedure in case of incidences – safe shutdown

In some rare cases there is the possibility that there is no draught in the chimney and that even a pilot fire will not help. If that's the problem, you have to contact a chimney sweeper, in no case try to light a bigger fire. If there is smoke escaping from the stove, of course the chimney sweeper has to be informed, too. Open every window immediately, to make sure that there is enough fresh air available.

2.8. Refilling

Open the primary air vent in the combustion chamber door and the secondary air vent in the rear wall and set the control valve in the exhaust gas stub to position A. Then open the combustion chamber door and fill with wooden logs until reaching the rear wall. Make sure to leave enough space underneath the logs, as that will prevent the fire from being hoked. When close the combustion chamber door. Once the logs are well burnt, you can consider curtailing the primary and secondary air vent to facilitate a more regular burn-off. Make sure to leave the primary air vent open at all times for the pane ventilation to function without interference.

2.9. Bed of ashes

Remember to leave a 5-10 cm layer of ashes on the ground of the combustion chamber. The bed of ashes will protect the ground of the kiln from blowing. Remove only excess ashes with a shovel every now and then. You can obtain the required accessories from your Kanuk® co-contractor.

2.10. Cleaning

The gas leading parts of the Kanuk® hot-air kilns (baffle plate, butterfly valve, etc.) and the connecting pieces need to be cleaned in case of defilement. Carry out a cleaning in all cases once during and after the heating period. The sealing cord of the combustion chamber door needs to be replaced in case of damage.

3. Guarantee

3.1. Guarantee / Warranty

End consumers get a two-year guarantee. In case of commercial use, the guarantee period is extended by 12 months. Viewing panes and ceramic sealing cords are generally not included in the guarantee. In case of damage, please contact your Kanuk® co-contractor in first instance. Photos of the blemished element and the location of installation as well as the exhaust system are required in general for handling cases of damage. Furthermore, please submit the production number and a detailed description of damage. Ask your co-contractor for the required form sheet. Only original or spare parts accredited by the manufacturer may be used. Wrong use and inobservance of this manual will abrogate the warranty claim.

Kanuk®

